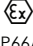
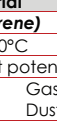
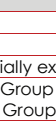
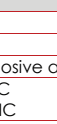
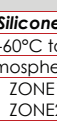
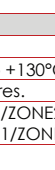
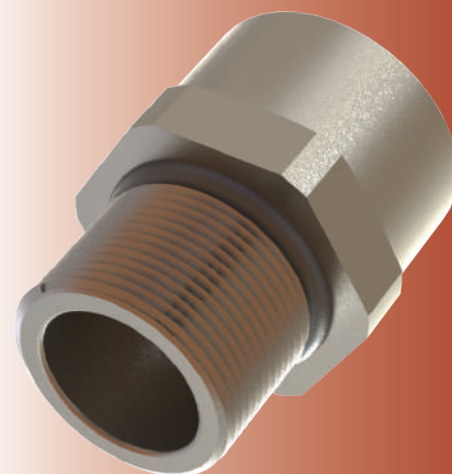


Enlargers for Ex d/e Applications

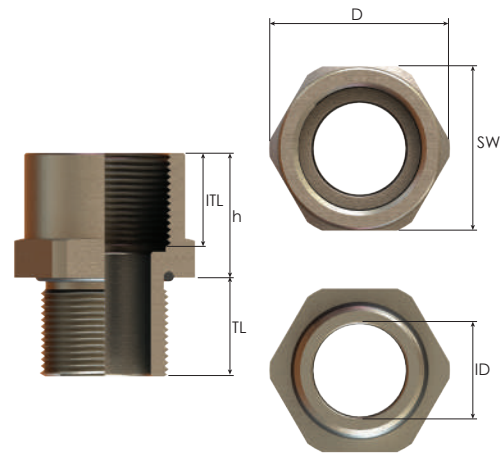
Technical Details		
Material	Body Brass, Brass Nickel Plated, Stainless Steel 316L O-ring CR (Chloroprene), Silicone	
Ingress Protection Rating	IP 68 - 5 Bar, 30 min IP 66	
Operating Temperature	O-ring Material CR (Chloroprene) -40°C to +100°C Silicone -60°C to +130°C	
Equipment For	• Gas & Dust potentially explosive atmospheres.	
Suitable for use in	Group II Gas Group IIC ZONE1/ZONE2 Group III Dust Group IIIC ZONE21/ZONE 22	
Equipment Marking	Ex II 2GD Ex db IIC Gb Ex eb IIC Gb Ex tb IIIC Db	
Marking Example *	BMD B-RB.. CE 0722  II 2GD Ex db IIC Gb Ex eb IIC Gb Ex tb IIIC Db Ta-40°C to +100°C IP66/68 CESI 13 ATEX 066X IECEx CES 13.0022X	
Thread Type	• Metric (M) ISO Pitch 1,5 • Npt (N) ANSI ASME B1.20.1 • PG (P) DIN 40430 • (G) GAS UNI ISO 228/1	
Accessories	• Gaskets (Washers)	
Remarks	• Accessories must be ordered separately. • O-ring only available when male thread is Metric.	
Approvals	Certificate Number	Standards
	CESI 13 ATEX 066X	EN 60079-0:2012+A11:2013 EN 60079-1:2014 EN 60079-7:2015 EN 60079-31:2014
	IECEx CES 13.0022X	IEC 60079-0:2011 Edition:6 IEC 60079-1:2014 Edition:7 IEC 60079-31:2013 Edition:2 IEC 60079-7:2015 Edition:5
	№ TC RU C-TR.AA87.B.00941	ГОСТ 31610.0-2014 ГОСТ IEC 60079-1:2013 ГОСТ IEC 60079-31:2013
	DNV 12.0150 X	ABNT NBR IEC 60079-0:2008, ABNT NBR IEC 60079-1:2009, ABNT NBR IEC 60079-7:2008, ABNT NBR IEC 60079-31:2011
	E-14044	IEC/EN60079-0, IEC/EN60079-7, IEC/EN60079-31, IEC/EN60079-1 & IEC/EN 62444

- Other sizes available upon request. For more information see our webpage.
* The standard marking consists ATEX & IECEx only. Marking acc. to other standards on request.



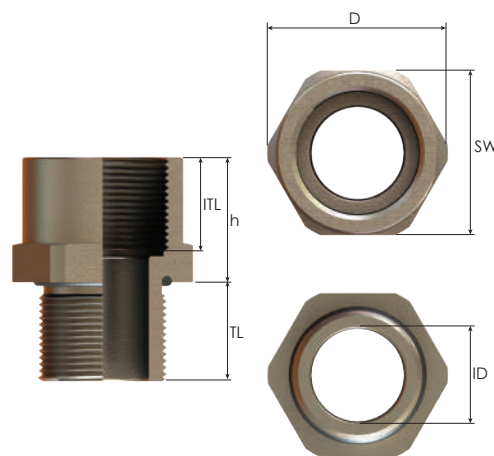
Order Coding			
Part Number	Material	Seal	- Gasket (Washer)
Mandatory	Mandatory	Mandatory	- Option
See table	B Brass BN Brass Nickel plated X Stainless steel 316L	C Chloroprene S Silicone	- WC Chloroprene WS Silicone WF Fiber
Example			
B-RB01M01M	BN	C	- WC

APUS Enlargers for Ex d/e Applications



Thread Type METRIC > METRIC acc. to ISO 965-3								
Outer Thread Size (Male)	Inner Thread Size (Female)	Outer Thread Length	Inner Thread Length	Spanner Width	Outer Ø	Inner Ø	Height	Part Number
		TL mm	ITL mm	SW mm	D mm	ID mm	h mm	
M16x1,5	M20x1,5	15,0	15,0	25	27,5	10,0	19,0	B-RB1M01M
	M25x1,5	15,0	15,0	30	33,0	10,0	19,0	B-RB2M01M
	M32x1,5	15,0	15,0	36	39,5	10,0	19,0	B-RB3M01M
M20x1,5	M25x1,5	15,0	15,0	30	33,0	14,0	19,0	B-RB2M1M
	M32x1,5	15,0	15,0	36	39,5	14,0	19,0	B-RB3M1M
	M40x1,5	15,0	18,0	45	50,0	14,0	22,0	B-RB4M1M
M25x1,5	M32x1,5	15,0	15,0	36	39,5	19,0	19,0	B-RB3M2M
	M40x1,5	15,0	18,0	45	50,0	19,0	22,0	B-RB4M2M
	M50x1,5	15,0	18,0	55	61,0	19,0	22,0	B-RB5M2M
M32x1,5	M40x1,5	15,0	18,0	45	50,0	26,0	22,0	B-RB4M3M
	M50x1,5	15,0	18,0	55	61,0	26,0	22,0	B-RB5M3M
	M60x1,5	18,0	18,0	68	75,0	26,0	22,5	B-RB6M3M
M40x1,5	M50x1,5	18,0	18,0	55	61,0	34,0	22,0	B-RB5M4M
	M60x1,5	18,0	18,0	68	75,0	34,0	22,5	B-RB6M4M
	M63x1,5	18,0	18,0	68	75,0	34,0	22,5	B-RB6M4M
	M70x1,5	18,0	18,0	80	88,5	34,0	22,5	B-RB7M4M
	M75x1,5	18,0	18,0	80	88,5	34,0	22,5	B-RB7M4M
M50x1,5	M60x1,5	18,0	18,0	68	75,0	44,0	22,5	B-RB6M5M
	M63x1,5	18,0	18,0	68	75,0	44,0	22,5	B-RB6M5M
	M70x1,5	18,0	18,0	80	88,5	44,0	22,5	B-RB7M5M
	M75x1,5	18,0	18,0	80	88,5	44,0	22,5	B-RB7M5M
	M80x1,5	18,0	18,0	90	100,0	44,0	22,5	B-RB8M5M
M60x1,5	M63x1,5	18,0	18,0	68	75,0	54,0	22,5	B-RB6M6M
	M70x1,5	18,0	18,0	80	88,5	54,0	22,5	B-RB7M6M
	M75x1,5	18,0	18,0	80	88,5	54,0	22,5	B-RB7M6M
	M80x1,5	18,0	18,0	90	100,0	54,0	22,5	B-RB8M6M
	M85x1,5	18,0	18,0	95	105,0	54,0	22,5	B-RB8M6M
M63x1,5	M90x1,5	18,0	21,0	95	105,0	54,0	25,5	B-RB8M6M
	M70x1,5	18,0	18,0	80	88,5	57,0	22,5	B-RB7M6M
	M75x1,5	18,0	18,0	80	88,5	57,0	22,5	B-RB7M6M
	M80x1,5	18,0	18,0	90	100,0	57,0	22,5	B-RB8M6M
	M85x1,5	18,0	18,0	95	105,0	57,0	22,5	B-RB8M6M
M70x1,5	M90x1,5	18,0	21,0	95	105,0	57,0	25,5	B-RB8M6M
	M75x1,5	18,0	18,0	80	88,5	64,0	22,5	B-RB7M7M
	M80x1,5	18,0	18,0	90	100,0	64,0	22,5	B-RB8M7M
	M85x1,5	18,0	18,0	95	105,0	64,0	22,5	B-RB8M7M
	M90x1,5	18,0	21,0	95	105,0	64,0	25,5	B-RB8M7M
M75x1,5	M80x1,5	18,0	18,0	90	100,0	69,0	22,5	B-RB8M7M
	M85x1,5	18,0	18,0	95	105,0	69,0	22,5	B-RB8M7M
	M90x1,5	18,0	21,0	95	105,0	69,0	25,5	B-RB8M7M
	M100x1,5	18,0	21,0	110	123,0	69,0	25,5	B-RB9M7M
M80x1,5	M85x1,5	18,0	18,0	95	105,0	72,0	22,5	B-RB8M8M
	M90x1,5	18,0	21,0	95	105,0	72,0	25,5	B-RB8M8M
	M100x1,5	18,0	21,0	110	123,0	72,0	25,5	B-RB9M8M
	M110x1,5	18,0	21,0	120	134,0	72,0	26,0	B-RB10M8M
M85x1,5	M90x1,5	18,0	21,0	95	105,0	77,0	25,5	B-RB8M8M
	M100x1,5	18,0	21,0	110	123,0	77,0	25,5	B-RB9M8M
	M110x1,5	18,0	21,0	120	134,0	77,0	26,0	B-RB10M8M
M90x1,5	M100x1,5	21,0	21,0	110	123,0	84,0	26,0	B-RB9M8M
	M110x1,5	21,0	21,0	120	134,0	84,0	26,0	B-RB10M8M
M100x1,5	M110x1,5	21,0	21,0	120	134,0	94,0	26,0	B-RB10M9M

APUS Enlargers for Ex d/e Applications



Thread Type NPT acc. to ANSI ASME B1.20.1 > METRIC acc. to ISO 965-3								
Outer Thread Size (Male)	Inner Thread Size (Female)	Outer Thread Length	Inner Thread Length	Spanner Width	Outer Ø	Inner Ø	Height	Part Number
		TL mm	ITL mm	SW mm	D mm	ID mm	h mm	
NPT 3/8"	M16x1,5	15,0	15,0	22	24,0	12,0	18,5	B-RB01M01N
	M20x1,5	15,0	15,0	25	27,5	12,0	19,0	B-RB1M01N
	M25x1,5	15,0	15,0	30	33,0	14,5	19,0	B-RB2M01N
	M32x1,5	15,0	15,0	36	39,5	12,0	19,0	B-RB3M01N
NPT 1/2"	M20x1,5	15,0	15,0	25	27,5	14,5	19,0	B-RB1M1N
	M25x1,5	15,0	15,0	30	33,0	14,5	19,0	B-RB2M1N
	M32x1,5	15,0	15,0	36	39,5	14,5	19,0	B-RB3M1N
	M40x1,5	15,0	18,0	45	50,0	14,5	22,0	B-RB4M1N
NPT 3/4"	M20x1,5	15,0	15,0	30	33,0	14,5	19,0	B-RB1M2N
	M32x1,5	15,0	15,0	36	39,5	19,0	19,0	B-RB3M2N
	M40x1,5	15,0	18,0	45	50,0	19,0	22,0	B-RB4M2N
	M50x1,5	18,0	18,0	55	61,0	19,0	22,0	B-RB5M2N
NPT 1"	M32x1,5	15,0	15,0	36,0	39,5	26,0	19,0	B-RB3M3N
	M40x1,5	15,0	18,0	45,0	50,0	26,0	22,0	B-RB4M3N
	M50x1,5	18,0	18,0	55,0	61,0	26,0	22,0	B-RB5M3N
	M60x1,5	18,0	18,0	68,0	75,0	26,0	22,5	B-RB6M3N
NPT 1 1/4"	M63x1,5	18,0	18,0	68,0	75,0	26,0	22,5	B-RB6M3N
	M40x1,5	18,0	18,0	45,0	50,0	35,0	22,0	B-RB4M4N
	M50x1,5	18,0	18,0	55,0	61,0	35,0	22,0	B-RB5M4N
	M60x1,5	18,0	18,0	68,0	75,0	35,0	22,5	B-RB6M4N
	M63x1,5	18,0	18,0	68,0	75,0	35,0	22,5	B-RB6M4N
NPT 1 1/2"	M70x1,5	18,0	18,0	80,0	88,5	35,0	22,5	B-RB7M4N
	M75x1,5	18,0	18,0	80,0	88,5	35,0	22,5	B-RB7M4N
	M50x1,5	18,0	18,0	55,0	61,0	40,0	22,0	B-RB5M5N
	M60x1,5	18,0	18,0	68,0	75,0	40,0	22,5	B-RB6M5N
	M63x1,5	18,0	18,0	68,0	75,0	40,0	22,5	B-RB6M5N
NPT 2"	M70x1,5	18,0	18,0	80,0	88,5	40,0	22,5	B-RB7M5N
	M75x1,5	18,0	18,0	80,0	88,5	40,0	22,5	B-RB7M5N
	M75x1,5	18,0	18,0	80,0	88,5	51,0	22,5	B-RB7M6N
	M80x1,5	18,0	18,0	90,0	100,0	51,0	23,0	B-RB8M6N
	M85x1,5	18,0	18,0	95,0	105,0	51,0	23,0	B-RB8M6N
NPT 2 1/2"	M90x1,5	28,0	21,0	95,0	105,0	51,0	26,0	B-RB8M6N
	M75x1,5	28,0	18,0	80,0	88,5	62,0	22,5	B-RB7M7N
	M80x1,5	28,0	18,0	90,0	100,0	62,0	23,0	B-RB8M7N
	M85x1,5	28,0	18,0	95,0	105,0	62,0	23,0	B-RB8M7N
NPT 3"	M90x1,5	28,0	21,0	95,0	105,0	62,0	26,0	B-RB8M7N
	M85x1,5	28,0	18,0	95,0	105,0	75,0	23,0	B-RB8M8N
	M90x1,5	28,0	21,0	95,0	105,0	75,0	26,0	B-RB8M8N
	M100x1,5	28,0	21,0	110,0	123,0	75,0	26,0	B-RB9M8N
NPT 3 1/2"	M110x1,5	28,0	21,0	120,0	134,0	75,0	26,0	B-RB10M8N
	M100x1,5	28,0	21,0	110,0	123,0	87,0	26,0	B-RB9M9N
NPT 4"	M110x1,5	28,0	21,0	120,0	134,0	87,0	26,0	B-RB10M9N
	M110x1,5	28,0	21,0	120,0	134,0	100,0	26,0	B-RB10M10N

APUS Enlargers for Ex d/e Applications

Thread Type **NPT > NPT** acc. to ANSI ASME B1.20.1

Outer Thread Size (Male)	Inner Thread Size (Female)	Outer Thread Length	Inner Thread Length	Spanner Width	Outer Ø	Inner Ø	Height	Part Number
		TL mm	ITL mm	SW mm	D mm	ID mm	h mm	
NPT 3/8"	NPT 1/2"	15,0	15,0	25	27,5	13,0	19,0	B-RB1N01N
	NPT 3/4"	15,0	15,0	30	33,0	12,0	19,0	B-RB2N01N
	NPT 1"	15,0	15,0	30	39,5	12,0	19,0	B-RB3N01N
NPT 1/2"	NPT 3/4"	15,0	15,0	30	33,0	14,5	19,0	B-RB2N1N
	NPT 1"	15,0	15,0	36	39,5	14,5	19,0	B-RB3N1N
	NPT 1 1/4"	15,0	18,0	45	50,0	14,5	22,0	B-RB4N1N
NPT 3/4"	NPT 1"	15,0	15,0	36	39,5	20,0	19,0	B-RB3N2N
	NPT 1 1/4"	15,0	18,0	45	50,0	20,0	22,0	B-RB4N2N
	NPT 1 1/2"	15,0	18,0	55	61,0	20,0	22,5	B-RB5N2N
NPT 1"	NPT 1 1/4"	15,0	18,0	45	50,0	27,0	22,0	B-RB4N3N
	NPT 1 1/2"	15,0	18,0	55	61,0	25,0	22,5	B-RB5N3N
	NPT 2"	18,0	18,0	65	72,0	25,0	22,5	B-RB6N3N
NPT 1 1/4"	NPT 1 1/2"	18,0	18,0	55	61,0	40,5	22,5	B-RB5N4N
	NPT 2"	18,0	18,0	65	72,0	40,5	22,5	B-RB6N4N
	NPT 2 1/2"	18,0	28,0	80	88,5	35,0	32,5	B-RB7N4N
NPT 1 1/2"	NPT 2"	18,0	18,0	65	72,0	41,0	22,5	B-RB6N5N
	NPT 2 1/2"	18,0	28,0	80	88,5	41,0	32,5	B-RB7N5N
	NPT 3"	28,0	28,0	95	105,0	41,0	32,5	B-RB8N5N
NPT 2"	NPT 2 1/2"	18,0	28,0	80	88,5	53,0	32,5	B-RB7N6N
	NPT 3"	28,0	28,0	95	105,0	53,0	32,5	B-RB8N6N
	NPT 3 1/2"	28,0	28,0	110	123,0	53,0	33,0	B-RB9N6N
NPT 2 1/2"	NPT 3"	28,0	28,0	95	105,0	62,0	32,5	B-RB8N7N
	NPT 3 1/2"	28,0	28,0	110	123,0	62,0	33,0	B-RB9N7N
	NPT 4"	28,0	28,0	120	134,0	62,0	33,0	B-RB10N7N
NPT 3"	NPT 3 1/2"	28,0	28,0	110	123,0	75,0	33,0	B-RB9N8N
	NPT 4"	28,0	28,0	120	134,0	75,0	33,0	B-RB10N8N
	NPT 3 1/2"	28,0	28,0	120	134,0	87,5	33,0	B-RB10N9N

Thread Type **METRIC** acc. to ISO 965-3 > **NPT** acc. to ANSI ASME B1.20.1

Outer Thread Size (Male)	Inner Thread Size (Female)	Outer Thread Length	Inner Thread Length	Spanner Width	Outer Ø	Inner Ø	Height	Part Number
		TL mm	ITL mm	SW mm	D mm	ID mm	h mm	
M16x1,5	NPT 3/8"	15,0	15,0	20	22,0	10,0	18,5	B-RB01N01M
	NPT 1/2"	15,0	15,0	25	27,5	10,0	19,0	B-RB1N01M
	NPT 3/4"	15,0	15,0	30	33,0	10,0	19,0	B-RB2N01M
M20x1,5	NPT 3/4"	15,0	15,0	30	33,0	14,0	19,0	B-RB2N1M
	NPT 1"	15,0	15,0	36	39,5	14,0	19,0	B-RB3N1M
	NPT 1 1/4"	15,0	18,0	45	50,0	14,0	22,0	B-RB4N1M
M25x1,5	NPT 3/4"	15,0	15,0	30	33,0	19,0	19,0	B-RB2N2M
	NPT 1"	15,0	15,0	36	39,5	19,0	19,0	B-RB3N2M
	NPT 1 1/4"	15,0	18,0	45	50,0	19,0	22,0	B-RB4N2M
M32x1,5	NPT 1"	15,0	15,0	36	39,5	26,0	19,0	B-RB3N3M
	NPT 1 1/4"	15,0	18,0	45	50,0	26,0	22,0	B-RB4N3M
	NPT 1 1/2"	18,0	18,0	55	61,0	26,0	22,0	B-RB5N3M
M40x1,5	NPT 1 1/4"	18,0	18,0	45	50,0	34,0	22,0	B-RB4N4M
	NPT 1 1/2"	18,0	18,0	55	61,0	34,0	22,0	B-RB5N4M
	NPT 2"	18,0	18,0	65	72,0	34,0	22,5	B-RB6N4M
M50x1,5	NPT 1 1/2"	18,0	18,0	55	61,0	40,0	22,0	B-RB5N5M
	NPT 2"	18,0	18,0	65	72,0	44,0	22,5	B-RB6N5M
	NPT 2 1/2"	18,0	28,0	80	88,5	44,0	32,5	B-RB7N5M
M60x1,5	NPT 2"	18,0	18,0	68	75,0	48,0	22,5	B-RB6N6M
	NPT 2 1/2"	18,0	28,0	80	88,5	54,0	32,5	B-RB7N6M
	NPT 3"	18,0	28,0	95	105,0	54,0	32,5	B-RB8N6M
M63x1,5	NPT 2"	18,0	18,0	68	75,0	51,0	22,5	B-RB6N6M
	NPT 2 1/2"	18,0	28,0	80	88,5	57,0	32,5	B-RB7N6M
	NPT 3"	18,0	28,0	95	105,0	51,0	32,5	B-RB8N6M
M70x1,5	NPT 2 1/2"	18,0	28,0	80	88,5	64,0	32,5	B-RB7N7M
	NPT 3"	18,0	28,0	95	105,0	64,0	32,5	B-RB8N7M
	NPT 3 1/2"	18,0	28,0	110	123,0	64,0	33,0	B-RB9N7M
M75x1,5	NPT 2 1/2"	18,0	28,0	80	88,5	69,0	32,5	B-RB7N7M
	NPT 3"	18,0	28,0	95	105,0	69,0	32,5	B-RB8N7M
	NPT 3 1/2"	18,0	28,0	110	123,0	69,0	33,0	B-RB9N7M
M80x1,5	NPT 3"	18,0	28,0	95	105,0	72,0	32,5	B-RB8N8M
	NPT 3 1/2"	18,0	28,0	110	123,0	72,0	33,0	B-RB9N8M
	NPT 4"	18,0	28,0	120	134,0	72,0	33,0	B-RB10N8M
M85x1,5	NPT 3"	18,0	28,0	95	105,0	77,0	32,5	B-RB8N8M
	NPT 3 1/2"	18,0	28,0	110	123,0	77,0	33,0	B-RB9N8M
	NPT 4"	18,0	28,0	120	134,0	77,0	33,0	B-RB10N8M
M90x1,5	NPT 3"	21,0	28,0	95	105,0	78,0	33,0	B-RB8N8M
	NPT 3 1/2"	21,0	28,0	110	123,0	78,0	33,0	B-RB9N8M
	NPT 4"	21,0	28,0	120	134,0	78,0	33,0	B-RB10N8M
M100x1,5	NPT 3 1/2"	21,0	28,0	110	123,0	94,0	33,0	B-RB9N9M
	NPT 4"	21,0	28,0	120	134,0	94,0	33,0	B-RB10N9M
M110x1,5	NPT 4"	21,0	28,0	120	134,0	103,0	33,0	B-RB10N10M