

Rigid Conduit Fittings for Ex d/e applications

E-CYGNUS



Technical Details		
Material	Body	Brass, Brass Nickel Plated, Stainless Steel 316L, Aluminium
	Inner Parts	Stainless Steel 316L
	Seal	CR (Chloroprene), Silicone
	O-ring	CR (Chloroprene), Silicone
Ingress Protection Rating	IP 68 - 5 Bar, 30 min IP 66	
Operating Temperature	Seal Material	
	CR (Chloroprene)	Silicone
	Ex d/tb	-40°C to +80°C
Ex e/tb	-40°C to +80°C	-60°C to +140°C
Equipment For	Gas & Dust potentially explosive atmospheres	
Suitable for use in	Group II	Gas Group IIC ZONE1/ZONE2
	Group III	Dust Group IIIC ZONE21/ZONE 22
Equipment Marking	Ex II 2GD	
	Ex db IIC Gb Ex eb IIC Gb Ex tb IIIC Db	
Marking Example *	BMD EBMS., CE 0722 II 2GD Ex db IIC Gb Ex eb IIC Gb Ex tb IIIC Db Ta-40°C to +80°C IP66/68 IMQ 13 ATEX 018X IECEx IMQ 13.0006X	
Thread Type	• Metric (M) ISO Pitch 1,5	
	• NPT (N) ANSI ASME B1.20.1	
	• Other thread types also available upon request.	
	Non Armoured	
Accessories	• Lock nuts	
	• Gaskets (Washers)	
	• Serrated Washers	
	• Earth tags	
Remarks	• Accessories must be ordered separately. • O-ring only available when male thread is Metric.	
Approvals		
	Certificate Number	Standards
	IMQ 13 ATEX 018X	EN 60079-0:2012+A11:2013 EN 60079-7:2015 EN 60079-31:2014 EN 60079-1:2014
	№ TC RU C-TR.AA87.B.00941	ГОСТ 31610.0-2014 ГОСТ IEC 60079-1:2013 ГОСТ IEC 60079-31:2013
	DNV 12.0052 X	ABNT NBR IEC 60079-0:2013 ABNT NBR IEC 60079-1:2009 ABNT NBR IEC 60079-7:2008 ABNT NBR IEC 60079-31:2011
	E-14044	IEC/EN60079-0 IEC/EN60079-7 IEC/EN60079-31 IEC/EN60079-1 IEC/EN 62444

-For more information see our webpage.

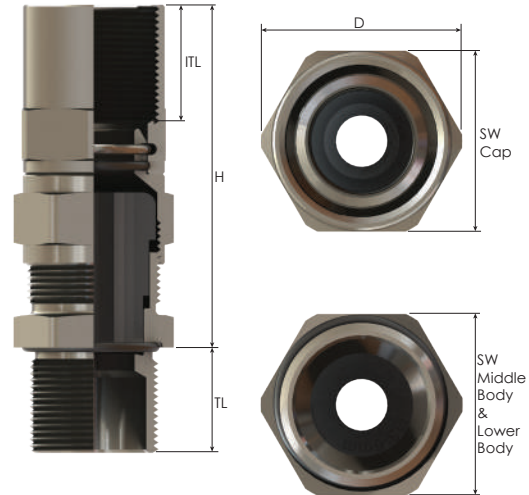
* The standard marking consists ATEX & IECEx only. Marking acc. to other standards on request.



Order Coding								
Part Number	Material	Seal	-	Gasket (Washer)	Serrated Washer	Lock Nut	Earth Tag	for Ex e
Mandatory	Mandatory	Mandatory	-	Option	Option	Option	Option	Option
See table	B Brass BN Brass Nickel plated X Stainless steel 316L A Aluminium	C Chloroprene S Silicone	-	WC Chloroprene WS Silicone WF Fiber	WSR Serrated washer	L Lock nut	E Earth tag	TL9
Example								
EBMS23M12N	BN	S	-	WC	WSR	L	E	TL9

E-CYGNUS

Rigid Conduit Swivel Fittings for Ex d/e applications



Thread Type METRIC acc. to ISO 965-3 > NPT acc. to ANSI ASME B1.20.1												
Outer Thread Size (Male)	Inner Thread Size (Female)	Clamping Range		Outer Thread Length		Inner Thread Length	Spanner Width			Outer Ø	max. Height	Part Number
				Ex-e min.	Ex-d/e min.		Cap	Upper Body	Lower Body			
		Ø min-max mm	Seal Type	TL mm	ITL mm	SW Cap mm	SW Upper Body mm	SW Lower Body mm	D mm	H mm		
M16x1,5	NPT 3/8"	4,0 - 12,0	Triple	9,0	16,0	16,0	27	27	22	30,0	56,5	EBMS01M01N
	NPT 1/2"	4,0 - 12,0	Triple	9,0	16,0	16,0	27	27	22	30,0	56,0	EBMS01M12N
M20x1,5	NPT 3/8"	4,0 - 12,0	Triple	9,0	16,0	16,0	27	27	22	30,0	52,0	EBMS12M01N
	NPT 1/2"	4,0 - 12,0	Triple	9,0	16,0	16,0	27	27	22	30,0	52,0	EBMS1M1N
	NPT 3/4"	10,0 - 16,0	Triple	9,0	16,0	16,0	32	32	28	35,5	52,5	EBMS12M12N
	NPT 1"	10,0 - 16,0	Triple	9,0	16,0	16,0	32	32	28	35,5	56,5	EBMS12M23N
M25x1,5	NPT 1/2"	10,0 - 16,0	Triple	9,0	16,0	16,0	32	32	28	35,5	55,0	EBMS23M12N
	NPT 3/4"	10,0 - 18,0	Triple	9,0	16,0	16,0	32	32	28	35,5	57,0	EBMS2M2N
	NPT 3/4"	14,0 - 20,0	Triple	9,0	16,0	16,0	40	40	35	44,5	59,5	EBMS23M23N
	NPT 1"	14,0 - 20,0	Triple	9,0	16,0	20,0	40	40	35	44,5	65,0	EBMS23M34N
M32x1,5	NPT 3/4"	14,0 - 20,0	Triple	9,0	16,0	16,0	40	40	35	44,5	58,5	EBMS34M23N
	NPT 1"	14,0 - 24,0	Triple	9,0	16,0	20,0	40	40	35	44,5	64,0	EBMS3M3N
	NPT 1"	22,0 - 28,0	Triple	9,0	16,0	20,0	48	45	45	53,3	68,5	EBMS34M34N
	NPT 1 1/4"	22,0 - 28,0	Triple	9,0	16,0	20,0	48	45	45	53,3	68,5	EBMS34M45N
M40x1,5	NPT 1"	22,0 - 26,0	Triple	9,0	18,0	20,0	48	45	45	53,3	69,0	EBMS45M34N
	NPT 1 1/4"	22,0 - 32,0	Triple	9,0	18,0	20,0	48	45	45	53,3	69,0	EBMS4M4N
	NPT 1 1/4"	26,0 - 34,0	Triple	9,0	18,0	20,0	55	55	50	61,0	76,0	EBMS45M45N
	NPT 1 1/2"	26,0 - 34,0	Triple	9,0	18,0	20,0	55	55	50	61,0	76,0	EBMS45M56N
M50x1,5	NPT 1 1/4"	26,0 - 34,0	Triple	9,0	18,0	20,0	55	55	55	61,0	76,0	EBMS56M45N
	NPT 1 1/2"	26,0 - 35,0	Triple	9,0	18,0	20,0	55	55	55	61,0	76,0	EBMS5M5N
	NPT 1 1/2"	35,0 - 44,0	Triple	9,0	18,0	20,0	64	64	64	70,0	75,5	EBMS56M56N
	NPT 2"	35,0 - 44,0	Triple	9,0	18,0	20,0	80	80	64	89,0	85,5	EBMS56M67N
M63x1,5	NPT 1 1/2"	35,0 - 41,0	Triple	9,0	18,0	20,0	64	64	68	75,0	75,5	EBMS67M56N
	NPT 2"	35,0 - 45,0	Triple	9,0	18,0	20,0	64	64	68	75,0	77,0	EBMS6M6N
	NPT 2"	46,0 - 56,0	Triple	9,0	18,0	20,0	80	80	75	89,0	85,5	EBMS67M67N
	NPT 2 1/2"	46,0 - 56,0	Triple	9,0	18,0	21,0	95	95	75	105,0	90,0	EBMS67M78N
M75x1,5	NPT 2"	46,0 - 52,0	Triple	9,0	20,0	20,0	80	80	80	89,0	85,5	EBMS78M67N
	NPT 2 1/2"	46,0 - 62,0	Triple	9,0	20,0	21,0	80	80	80	89,0	86,5	EBMS7M7N
	NPT 2 1/2"	60,0 - 69,0	Triple	9,0	20,0	21,0	95	95	95	105,0	90,0	EBMS78M78N
	NPT 3"	60,0 - 69,0	Triple	9,0	20,0	21,0	105	105	95	117,0	90,0	EBMS78M810N
M90x1,5	NPT 2 1/2"	60,0 - 64,0	Triple	9,0	20,0	21,0	95	95	95	105,0	90,0	EBMS810M78N
	NPT 3"	60,0 - 75,0	Triple	9,0	20,0	21,0	95	95	95	105,0	90,0	EBMS8M8N
	NPT 3"	75,0 - 82,0	Triple	9,0	20,0	21,0	105	105	105	117,0	90,0	EBMS810M810N
	NPT 4"	75,0 - 82,0	Triple	9,0	20,0	21,0	115	115	105	128,0	90,0	EBMS810M10N
M100x1,5	NPT 3"	75,0 - 85,0	Triple	9,0	20,0	21,0	105	105	105	117,0	90,0	EBMS10M810N
	NPT 4"	75,0 - 85,0	Triple	9,0	20,0	21,0	115	115	105	128,0	90,0	EBMS10M11N
M110x1,5	NPT 4"	85,0 - 95,0	Triple	9,0	20,0	21,0	115	115	115	128,0	91,0	EBMS11M11N

Rigid Conduit Fittings for Ex d/e applications

E-CYGNUS



Technical Details		
Material	Body	Brass, Brass Nickel Plated, Stainless Steel 316L, Aluminium
	Inner Parts	Stainless Steel 316L
	Seal	CR (Chloroprene), Silicone
	O-ring	CR (Chloroprene), Silicone
Ingress Protection Rating	IP 68 - 5 Bar, 30 min IP 66	
Operating Temperature	Seal Material	
	CR (Chloroprene)	Silicone
	Ex d/tb	-40°C to +80°C
Ex e/tb	-40°C to +80°C	-60°C to +140°C
Equipment For	Gas & Dust potentially explosive atmospheres	
Suitable for use in	Group II	Gas Group IIC ZONE1/ZONE2
	Group III	Dust Group IIIC ZONE21/ZONE 22
Equipment Marking	Ex II 2GD Ex db IIC Gb Ex eb IIC Gb Ex tb IIIC Db	
Marking Example *	BMD EBMS.. CE 0722 II 2GD Ex db IIC Gb Ex eb IIC Gb Ex tb IIIC Db Ta-40°C to +80°C IP66/68 IMQ 13 ATEX 018X IECEx IMQ 13.0006X	
Thread Type	<ul style="list-style-type: none"> • Metric (M) ISO Pitch 1,5 • NPT (N) ANSI ASME B1.20.1 • Other thread types also available upon request. 	
Cable Type	Non Armoured	
Accessories	<ul style="list-style-type: none"> • Lock nuts • Gaskets (Washers) • Serrated Washers • Earth tags 	
Remarks	<ul style="list-style-type: none"> • Accessories must be ordered separately. • O-ring only available when male thread is Metric. 	
Approvals	Certificate Number	Standards
	IMQ 13 ATEX 018X	EN 60079-0:2012+A11:2013 EN 60079-7:2015 EN 60079-31:2014 EN 60079-1:2014
	IECEX IMQ 13.0006X	IEC 60079-0:2011 Edition:6 IEC 60079-7:2015 Edition:5 IEC 60079-31:2013 Edition:2 IEC 60079-1:2014 Edition:7
	№ TC RU C-TR.AA87.B.00941	ГОСТ 31610.0-2014 ГОСТ IEC 60079-1:2013 ГОСТ IEC 60079-31:2013
	DNV 12.0052 X	ABNT NBR IEC 60079-0:2013 ABNT NBR IEC 60079-1:2009 ABNT NBR IEC 60079-7:2008 ABNT NBR IEC 60079-31:2011
	E-14044	IEC/EN60079-0 IEC/EN60079-7 IEC/EN60079-31 IEC/EN60079-1 IEC/EN 62444

-For more information see our webpage.

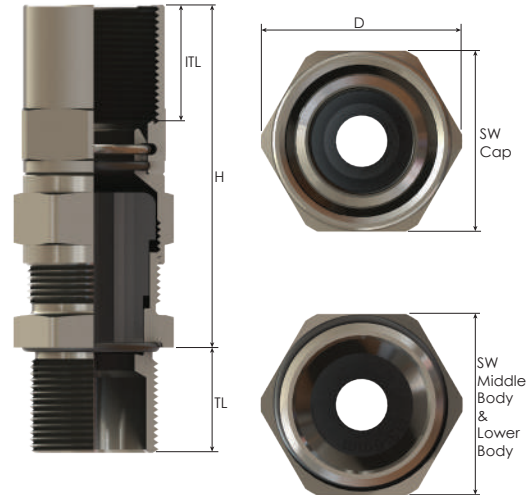
* The standard marking consists ATEX & IECEx only. Marking acc. to other standards on request.



Order Coding								
Part Number	Material	Seal	Gasket (Washer)	Serrated Washer	Lock Nut	Earth Tag	for Ex e	
Mandatory	Mandatory	Mandatory	- Option	Option	Option	Option	Option	Option
See table	B Brass BN Brass Nickel plated X Stainless steel 316L A Aluminium	C Chloroprene S Silicone	- WC Chloroprene WS Silicone WF Fiber	WSR Serrated washer	L Lock nut	E Earth tag	TL9	
Example	EBMS23M12N BN	S	- WC	WSR	L	E	TL9	

E-CYGNUS

Rigid Conduit Swivel Fittings for Ex d/e applications



Thread Type **NPT** acc. to ANSI ASME B1.20.1

Outer Thread Size (Male)	Inner Thread Size (Female)	Clamping Range		Outer Thread Length	Inner Thread Length	Cap	Spanner Width		Outer Ø	max. Height	Part Number
		Ø min-max mm	Seal Type				TL mm	ITL mm			
NPT 3/8"	NPT 3/8"	4,0 - 12,0	Triple	16,0	16,0	27	27	22	30,0	56,5	EBMS01N01N
	NPT 1/2"	4,0 - 12,0	Triple	16,0	16,0	27	27	22	30,0	56,0	EBMS01N12N
NPT 1/2"	NPT 3/8"	4,0 - 12,0	Triple	16,0	16,0	27	27	22	30,0	52,0	EBMS12N01N
	NPT 1/2"K	4,0 - 12,0	Triple	16,0	16,0	27	27	22	30,0	52,0	EBMS1N1N
	NPT 1/2"	10,0 - 16,0	Triple	16,0	16,0	32	32	28	35,5	54,5	EBMS12N12N
	NPT 3/4"	10,0 - 16,0	Triple	16,0	16,0	32	32	28	35,5	56,5	EBMS12N23N
NPT 3/4"	NPT 1/2"	10,0 - 16,0	Triple	16,0	16,0	32	32	28	35,5	54,5	EBMS23N12N
	NPT 3/4"K	10,0 - 18,0	Triple	16,0	16,0	32	32	28	35,5	56,5	EBMS2N2N
	NPT 3/4"	14,0 - 20,0	Triple	16,0	16,0	40	40	35	44,5	58,5	EBMS23N23N
	NPT 1"	14,0 - 20,0	Triple	16,0	20,0	40	40	35	44,5	64,5	EBMS23N34N
NPT 1"	NPT 3/4"	14,0 - 20,0	Triple	20,0	16,0	40	40	35	44,5	58,5	EBMS34N23N
	NPT 1"	14,0 - 24,0	Triple	20,0	20,0	40	40	35	44,5	64,0	EBMS3N3N
	NPT 1"	22,0 - 26,0	Triple	20,0	20,0	48	45	45	53,3	68,0	EBMS34N34N
	NPT 1 1/4"	22,0 - 26,0	Triple	20,0	20,0	48	45	45	53,3	68,0	EBMS34N45N
NPT 1 1/4"	NPT 1"	22,0 - 26,0	Triple	20,0	20,0	48	45	45	53,3	69,0	EBMS45N34N
	NPT 1 1/4"K	22,0 - 32,0	Triple	20,0	20,0	48	45	45	53,3	69,0	EBMS4N4N
	NPT 1 1/4"	26,0 - 34,0	Triple	20,0	20,0	55	55	55	61,0	76,0	EBMS45N45N
	NPT 1 1/2"	26,0 - 34,0	Triple	20,0	20,0	55	55	55	61,0	76,0	EBMS45N56N
NPT 1 1/2"	NPT 1 1/4"	26,0 - 34,0	Triple	20,0	20,0	55	55	55	61,0	76,0	EBMS56N45N
	NPT 1 1/2"K	26,0 - 35,0	Triple	20,0	20,0	55	55	55	61,0	76,0	EBMS5N5N
	NPT 1 1/2"	35,0 - 41,0	Triple	20,0	20,0	64	64	64	70,0	75,5	EBMS56N56N
	NPT 2"	35,0 - 41,0	Triple	20,0	20,0	80	80	64	89,0	85,5	EBMS56N67N
NPT 2"	NPT 1 1/2"	35,0 - 41,0	Triple	20,0	20,0	64	64	68	75,0	75,5	EBMS67N56N
	NPT 2"K	35,0 - 45,0	Triple	20,0	20,0	64	64	68	75,0	77,0	EBMS6N6N
	NPT 2"	46,0 - 52,0	Triple	20,0	20,0	80	80	75	89,0	85,5	EBMS67N67N
	NPT 2 1/2"	46,0 - 52,0	Triple	20,0	21,0	95	95	75	105,0	90,0	EBMS67N78N
NPT 2 1/2"	NPT 2"	46,0 - 52,0	Triple	21,0	20,0	80	80	80	89,0	85,5	EBMS78N67N
	NPT 2 1/2"K	46,0 - 62,0	Triple	21,0	21,0	80	80	80	89,0	86,5	EBMS7N7N
	NPT 2 1/2"	60,0 - 64,0	Triple	21,0	21,0	95	95	95	105,0	90,0	EBMS78N78N
	NPT 3"	60,0 - 64,0	Triple	21,0	21,0	105	105	95	117,0	90,0	EBMS78N810N
NPT 3"	NPT 2 1/2"	60,0 - 64,0	Triple	21,0	21,0	95	95	95	105,0	90,0	EBMS810N78N
	NPT 3"K	60,0 - 75,0	Triple	21,0	21,0	95	95	95	105,0	90,0	EBMS8N8N
	NPT 3"	75,0 - 79,5	Triple	21,0	21,0	105	105	105	117,0	90,0	EBMS810N810N
	NPT 4"K	75,0 - 79,5	Triple	21,0	21,0	115	115	105	128,0	90,0	EBMS810N10N
NPT 4"	NPT 3"	75,0 - 79,5	Triple	21,0	21,0	105	105	115	128,0	90,0	EBMS11N810N
	NPT 4"K	75,0 - 85,0	Triple	21,0	21,0	115	115	115	128,0	90,0	EBMS10N10N
	NPT 4"	85,0 - 95,0	Triple	21,0	21,0	115	115	115	128,0	91,0	EBMS11N11N