

High Impact Polyamide Glands for Ex e Applications

7 joule

HI-LYRA



Technical Details	
Material	Body, Cap: PA 6 (Polyamide 6) Seal: CR (Chloroprene), Silicone
Ingress Protection Rating	IP 68 - 5 Bar, 30 min IP 66
Operating Temperature	Seal Material CR (Chloroprene): -40°C to +70°C Silicone: -60°C to +70°C
Equipment For	<ul style="list-style-type: none"> Gas & Dust potentially explosive atmospheres. Cable glands should be also used for intrinsically safe circuits Ex-i. These cable glands shall have a light blue colored cap. The symbol "I" will be added beside of the "HIBM" for order processing.
Suitable for use in	Group II Gas Group IIC ZONE1/ZONE2 Group III Dust Group IIIC ZONE21/ZONE 22
Equipment Marking	Ex II 2GD Ex eb IIC Gb Ex tb IIIC Db
Marking Example *	BMD HIBM-X... CE 0722 II 2GD Ex eb IIC Gb Ex tb IIIC Db IP66/68 Ta-60°C to +70°C IMQ 13 ATEX 010X IECEx IMQ 13.0003X
Impact Test Result	7J
Thread Type	<ul style="list-style-type: none"> Metric (M) ISO Pitch 1,5 Npt (N) ANSI ASME B1.20.1 PG (P) DIN 40430 Other thread types also available upon request.
Cable Type	Non Armoured
Accessories	<ul style="list-style-type: none"> Lock nuts Gaskets (Washers) Dome Plugs Dust Plugs Double Seals
Remarks	<ul style="list-style-type: none"> We recommend the use of locknuts and gaskets to ensure IP rating for rough surfaces or through holes. Accessories must be ordered separately.

Approvals	Certificate Number	Standards
	IMQ 13 ATEX 010X	EN 60079-0:2012 + A11:2013 EN 60079-7:2015 EN 60079-31:2014
	IECEx IMQ 13.0003X	IEC 60079-0:2011 Edition:6.0 IEC 60079-31:2013 Edition:2.0 IEC 60079-7:2016 Edition: 6.0
		ISO 4892-2
	№ TC RU C-TR.AA87.B.00941	ГОСТ 31610.0-2014 ГОСТ IEC 60079-1:2013 ГОСТ IEC 60079-31:2013
	DNV 12.0051 X	ABNT NBR IEC 60079-0:2013, ABNT NBR IEC 60079-7:2008 ABNT NBR IEC 60079-31:2011
	E-14045	IEC/EN60079-0, IEC/EN60079-7, IEC/EN60079-31 IEC/EN 62444

-For more information see our webpage.
* The standard marking consists ATEX & IECEx only. Marking acc. to other standards on request.



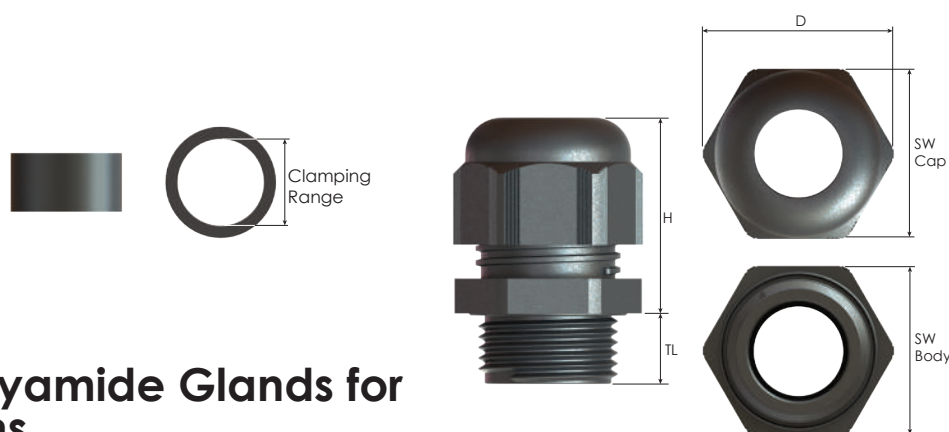
Ex-e Gland Ex-i Gland with Lock Nut



with Dust Plug & Gasket with Dome Plug & Washer



Order Coding						
Part Number	Seal	- Gasket (Washer)	Seal Type	Lock Nut	Sealing Plug	Option
See table	C Chloroprene S Silicone	- WC Chloroprene WS Silicone WF Fiber	DS Double Seal	L Lock nut	P Dome Plug	
*Part number for blue cap is HIBM-..						
Example						
HIBM-X2 *HIBM-X2	S	- WC	DS	L	P	



HI-LYRA

High Impact Polyamide Glands for Ex e Applications

Thread Type METRIC acc. to ISO 965-3								
Outer Thread Size (Male)	Clamping Range		Outer Thread Length	Spanner Width		Outer Ø	max. Height	Part Number
	Ø min-max mm	Seal Type		Cap	Body			
			TL mm	SW Cap mm	SW Body mm	D mm	H mm	
M12x1,5	4,0 - 6,5	Single	10,0	15	15	17,0	25,3	HIBM-0XS
	4,0 - 6,5	Single	15,0	15	15	17,0	25,3	HIBM-XS
M16x1,5	5,0 - 8,0	Single	10,0	19	19	21,7	27,4	HIBM-SX1
	5,0 - 8,0	Single	15,0	19	19	21,7	27,4	HIBM-SX1L
	6,0 - 10,0	Single	10,0	22	22	25,0	32,2	HIBM-X1
	6,0 - 10,0	Single	15,0	22	22	25,0	32,2	HIBM-X1L
M20x1,5	6,0 - 10,0	Single	10,0	22	24	27,0	32,2	HIBM-SX2
	7,0 - 12,0	Single	10,0	24	24	27,0	32,4	HIBM-X2
	7,0 - 12,0	Single	15,0	24	24	27,0	32,4	HIBM-X2L
	7,0 - 13,0	Single	10,0	25	25	27,5	34,0	HIBM-MX2
	11,0 - 14,0	Single	10,0	27	27	30,9	31,9	HIBM-X3
	11,0 - 14,0	Single	15,0	27	27	30,9	31,9	HIBM-X4
M25x1,5	11,0 - 14,0	Single	10,0	27	27	30,9	31,9	HIBM-SX5
	11,0 - 14,0	Single	15,0	27	27	30,9	31,9	HIBM-SX6
	14,0 - 18,0	Single	10,0	33	33	37,2	38,4	HIBM-X5
	14,0 - 18,0	Single	15,0	33	33	37,2	38,4	HIBM-X6
	12,0 - 17,0	Single	10,0	29	29	32,5	37,7	HIBM-XEU25
	12,0 - 17,0	Single	15,0	29	29	32,5	37,7	HIBM-XEU25L
M32x1,5	16,0 - 21,0	Single	10,0	36	36	41,0	42,3	HIBM-XEU32
	16,0 - 21,0	Single	15,0	36	36	41,0	42,3	HIBM-XEU32L
	14,0 - 18,0	Single	10,0	33	36	41,0	38,4	HIBM-SX7
	19,0 - 25,0	Single	15,0	42	42	47,1	43,3	HIBM-X7
M40x1,5	20,0 - 28,0	Single	10,0	46	46	52,4	47,4	HIBM-XEU40
	20,0 - 28,0	Single	15,0	46	46	52,4	47,4	HIBM-XEU40L
	23,0 - 32,0	Single	18,0	53	53	59,6	52,4	HIBM-X8
M50x1,5	31,0 - 38,0	Single	18,0	60	60	67,8	54,8	HIBM-X9
M63x1,5	35,0 - 44,0	Single	18,0	65	65	72,4	54,9	HIBM-X10

Thread Type NPT acc. to ANSI B1.20.1								
Outer Thread Size (Male)	Clamping Range		Outer Thread Length	Spanner Width		Outer Ø	max. Height	Part Number
	Ø min-max mm	Seal Type		Cap	Body			
			TL mm	SW Cap mm	SW Body mm	D mm	H mm	
NPT 3/8"	6,0 - 10,0	Single	15,0	22	22	25,0	32,2	HIBM-X1
NPT 1/2"	6,0 - 10,0	Single	15,0	22	24	27,0	32,2	HIBM-SX2
	7,0 - 12,0	Single	15,0	24	24	27,0	32,4	HIBM-X2
	11,0 - 14,0	Single	15,0	27	27	30,9	31,9	HIBM-LX2
NPT 3/4"	14,0 - 18,0	Single	15,0	33	33	37,2	38,4	HIBM-X3
NPT 1"	19,0 - 25,0	Single	18,0	42	42	47,1	43,3	HIBM-X4