

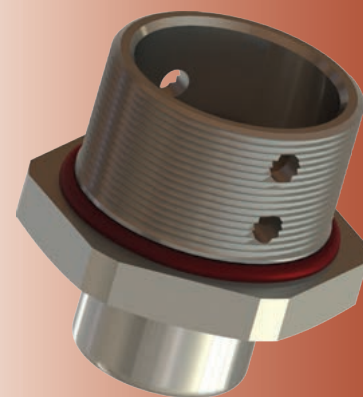
Drain plugs for Ex e application

Drain Plug

- Drains condensed water in the housing.
- Helps to avoid any potential damage to sensitive electric/electronic equipment in the housing due to condensed water.
- Also allows air in the housing to breathe with the surrounding atmosphere.

Technical Details

Material	Body and Cap	Brass, Brass Nickel Plated, Stainless Steel 316L	
	Membrane	Bronze	
	O-Ring	Silicone	
Ingress Protection Rating		IP 66	
Operating Temperature	Seal Material	Silicone	
Ex e/tb		-60°C to +85°C	
Equipment For		• Gas & Dust potentially explosive atmospheres.	
Suitable for use in		Group II	Gas Group IIC ZONE1/ZONE2
		Group III	Dust Group IIIC ZONE21/ZONE 22
Equipment Marking		Ex II 2GD Ex eb IIC Gb Ex tb IIIC Db IP66	
Marking Example *		BMD BDRV... CE 0722 Ex II 2GD Ex eb IIC Gb Ex tb IIIC Db Ta -60°C to +85°C IP66 IMQ 13 ATEX 030X IECEx IMQ 14.0003X	
Type Protection		Ex eb ; Ex tb	
Thread Type		• Metric (M) ISO Pitch 1,5 • Npt (N) ANSI ASME B1.20.1	
Accessories		• Lock Nut	
Remarks		• O-ring available in Metric threads. • All accessories must be ordered separately.	



Approvals	Certificate Number	Standards
	IMQ 13 ATEX 030X	EN 60079-0 EN 60079-7 EN 60079-31
	IECEx IMQ 14.0003X	IEC 60079-1 IEC 60079-31 IEC 60079-7
	№ TC RU C-TR.AA87.B.00941	ГОСТ 31610.0 ГОСТ IEC 60079-1 ГОСТ IEC 60079-3
	TAE00003WU	IEC/EN60079-0 IEC/EN60079-7 IEC/EN60079-31 IEC/EN60079-1

-For details of approvals, see our website.

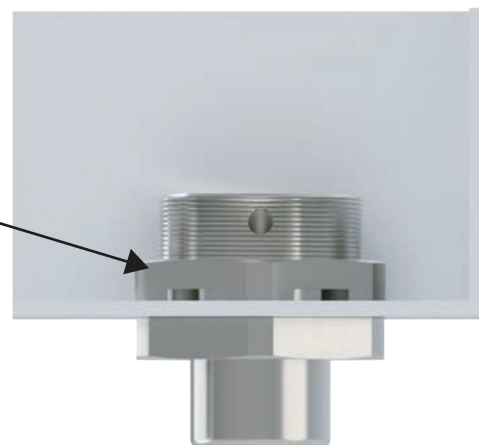
* The standard marking consists ATEX & IECEx only. Marking acc. to other standards on request.

Ideally it should be located at the lowest point of the housing to ensure optimum draining.

Threaded Hole



Non-Threaded Hole

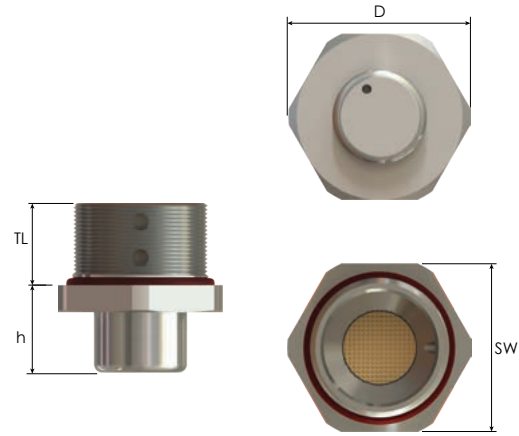


Special Lock Nut
for Drain Plug

Order Coding				
Part Number	Material	Seal	-	Lock Nut
Mandatory	Mandatory	Mandatory	-	Option
See table	B Brass BN Brass Nickel Plated X Stainless steel 316L	S Silicone	-	L Lock Nut
Example				
BDRV-1M	BN		-	

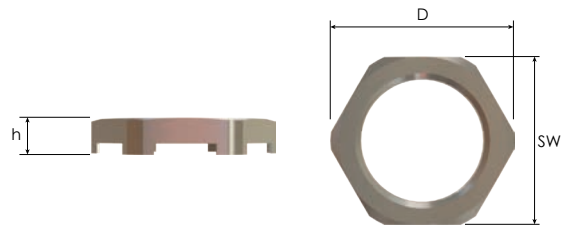
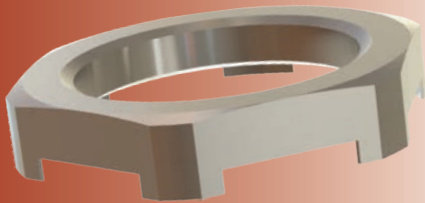
VIRGO

Drain Plugs Ex e applications



Thread Type METRIC acc. to ISO 965-3					
Outer Thread Size (Male)	Outer Thread Length	Spanner Width	Outer Ø	Height	Part Number
	TL mm	SW mm	D2 mm	h mm	
M20x1,5	15,0	25	27,5	16,0	BDRV-1M
M25x1,5	15,0	30	33,0	16,0	BDRV-2M

Thread Type NPT acc. to ANSI ASME B1.20.1					
Outer Thread Size (Male)	Outer Thread Length	Spanner Width	Outer Ø	Height	Part Number
	TL mm	SW mm	D2 mm	h mm	
NPT 1/2"	16,0	25	27,5	16,0	BDRV-1N
NPT 3/4"	16,0	30	33,0	16,0	BDRV-2N



Special Lock Nuts for Drain Plugs

Outer Thread Size (Male)	Spanner Width	Outer Ø	Height	Part Number
	SW mm	D2 mm	h mm	
M20x1,5	25	27,5	5,0	BDRL-03
M25x1,5	30	33,0	5,0	BDRL-04
NPT 1/2"	25	27,5	5,0	BDRLN-03
NPT 3/4"	30	33,0	5,0	BDRLN-04